



ASSEMBLY INSTRUCTION

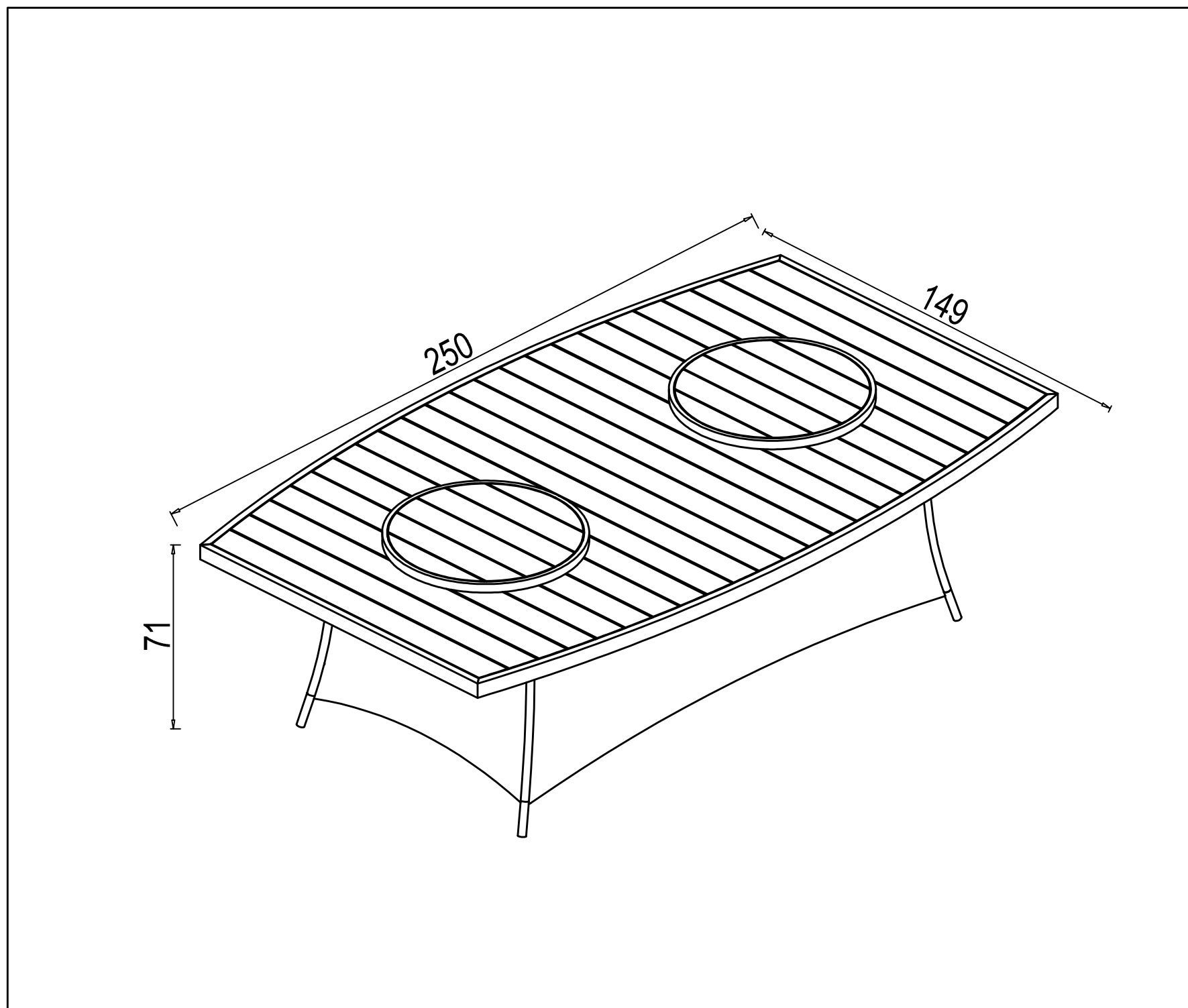
LUAU OUTDOOR DINING TABLE

ITEM CODE - 77088

Imported by Amart Furniture Pty Ltd, Qld, Brisbane Australia .

For any assistance with assembly or for missing parts please phone

Amart Furniture , Customer Service Freecall 1800 351 084



Imported by Amart Furniture Pty Ltd, Qld, Brisbane Australia .


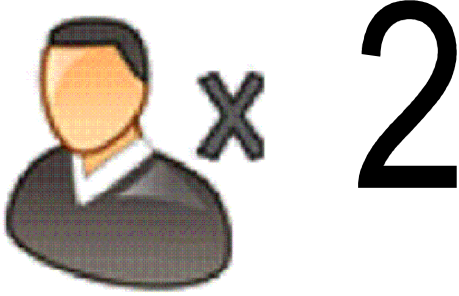
For any assistance with assembly or for missing parts please phone

Amart Furniture, Customer Service Freecall 1800 351 084

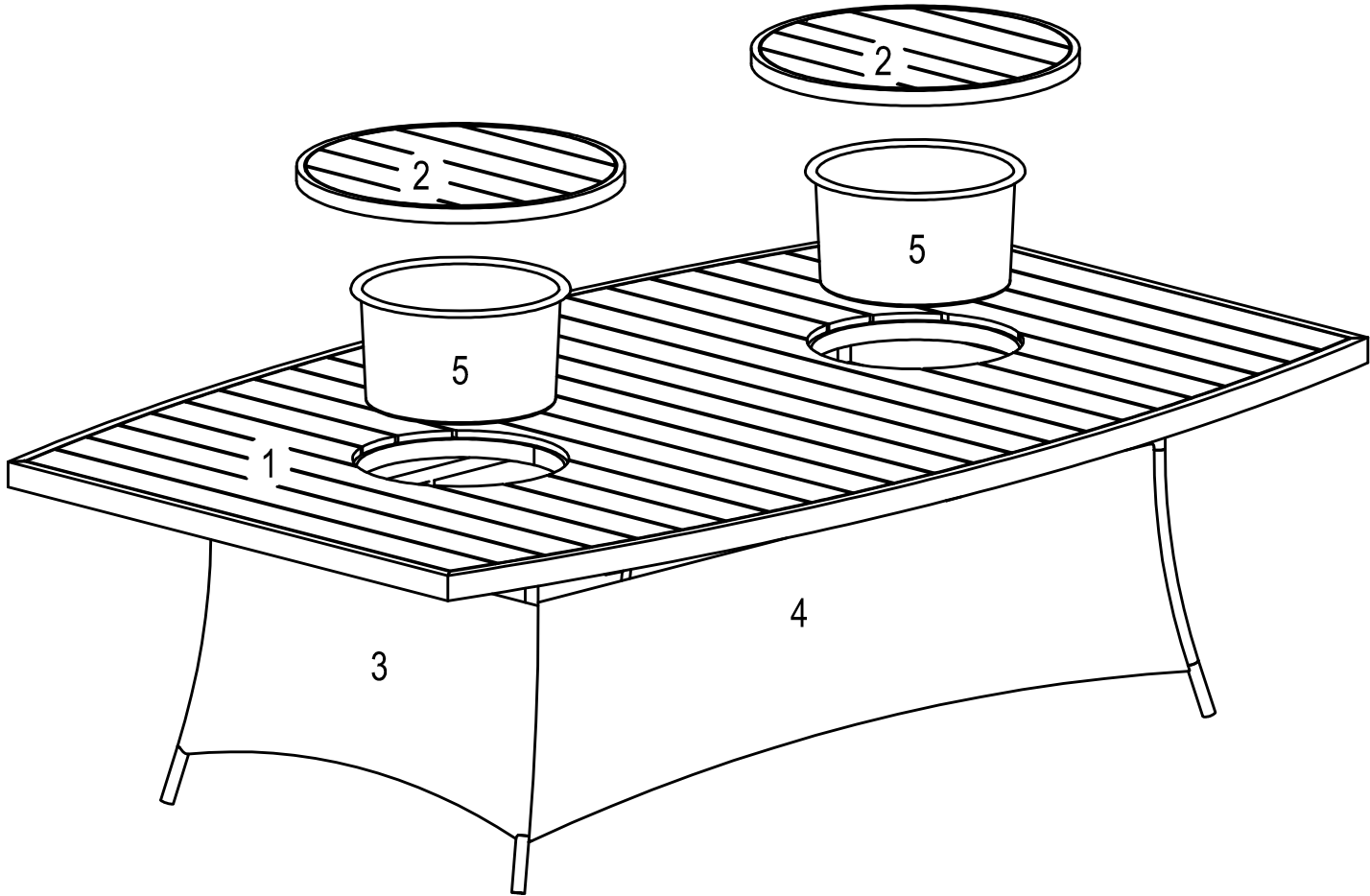
PRE-ASSEMBLY PREPARATION

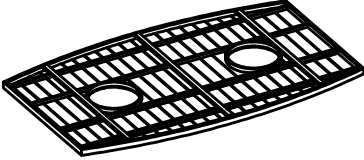
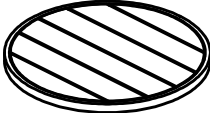
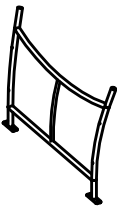
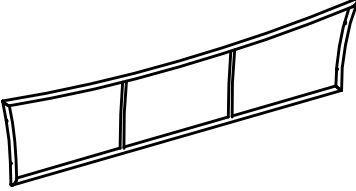
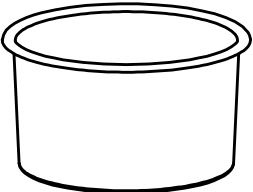
Before you start:

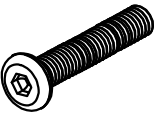

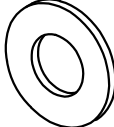
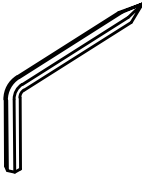
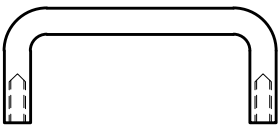

1. Choose a clean, level, spacious assembly area. Avoid hard surfaces that may damage the product.
2. Take care when lifting. Product should be assembled as near as possible to the point of use.
3. Ensure that you have all required contents for complete assembly.
4. Always read the assembly instructions carefully before beginning assembly.
5. Keep all hardware parts and packaging out of reach of small children.
6. Do not over tighten the screws and bolts as this may damage the threads.

	
ALLOW 20 MINUTES	PEOPLE REQUIRED
ADDITIONAL TOOLS REQUIRED	

PARTS LIST

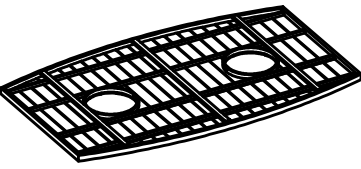
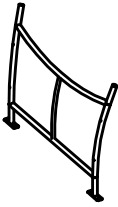

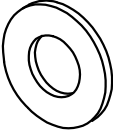
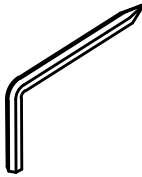


1. Table Top		1PC	2. Lazy Susan		2PCS
3. Legs		2PCS	4. Fixed Link		2PCS
5. Ice Bucket		2PCS			

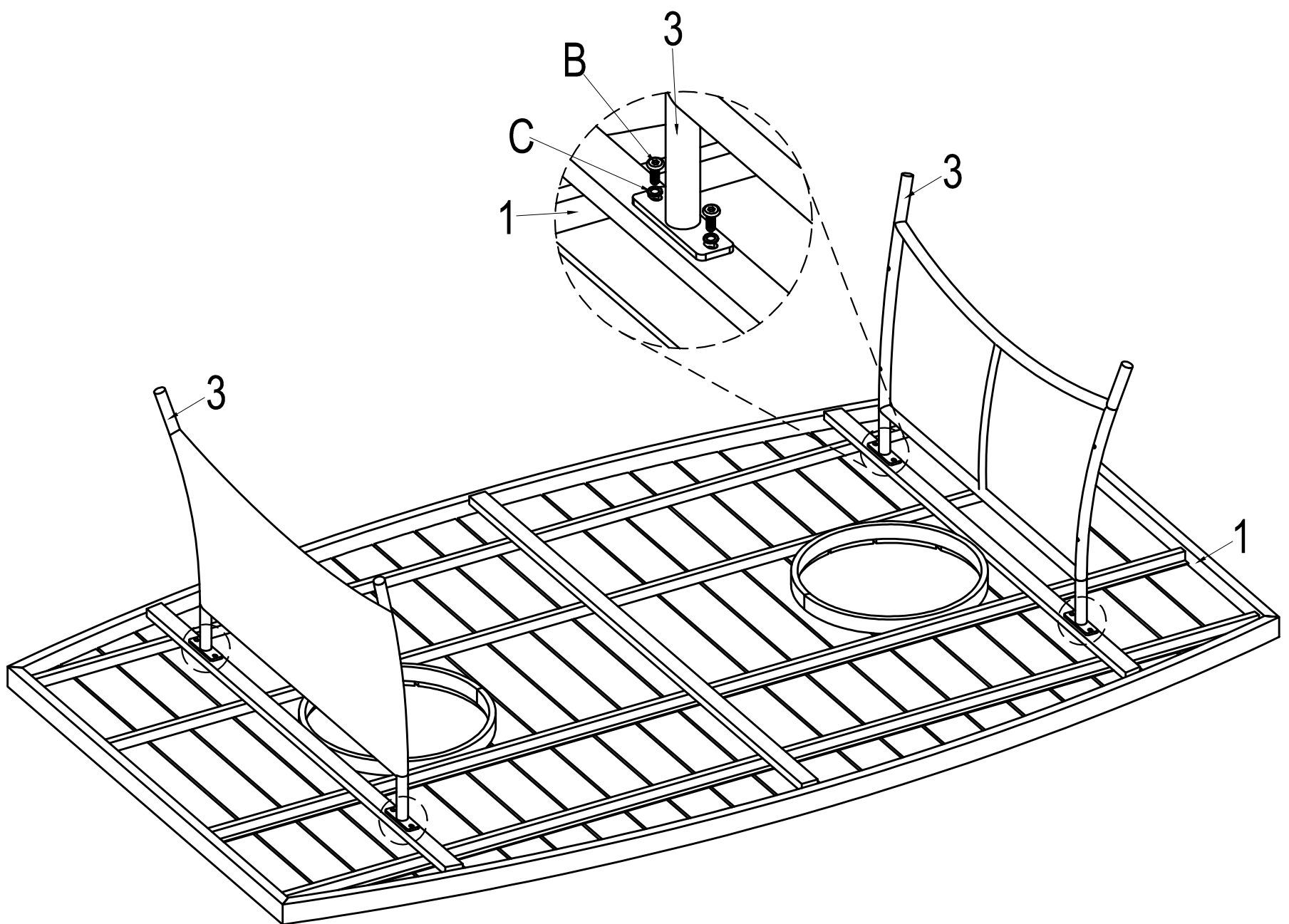
A. Bolt	B. Bolt	C. Washer	D. Allen Key
			
M6*42*8PCS	M6*18*8PCS	M6*16PCS	M6*1PC
E. Handle	F. Bolt		
			
4PCS	M5*10*8PCS		

Step 1:

ITEMS REQUIRED

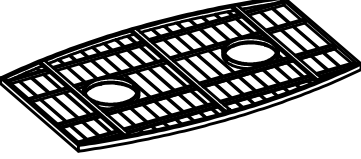
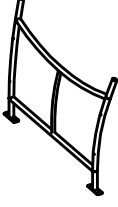
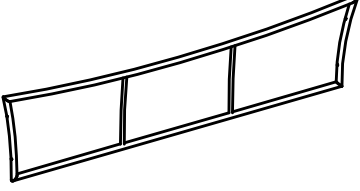
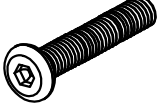
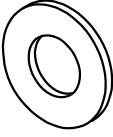
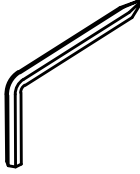
1. Table Top 1PC 	3. Legs 2PCS 	
B. Bolt  M6*18*8PCS	C. Washer  M6*8PCS	D. Allen Key  M6*1PC

- Attach legs (3) to table top (1) using bolt (B) with washer (C) .
- Insert all bolts before fully tightening .
- Sides to be attached before tighten.

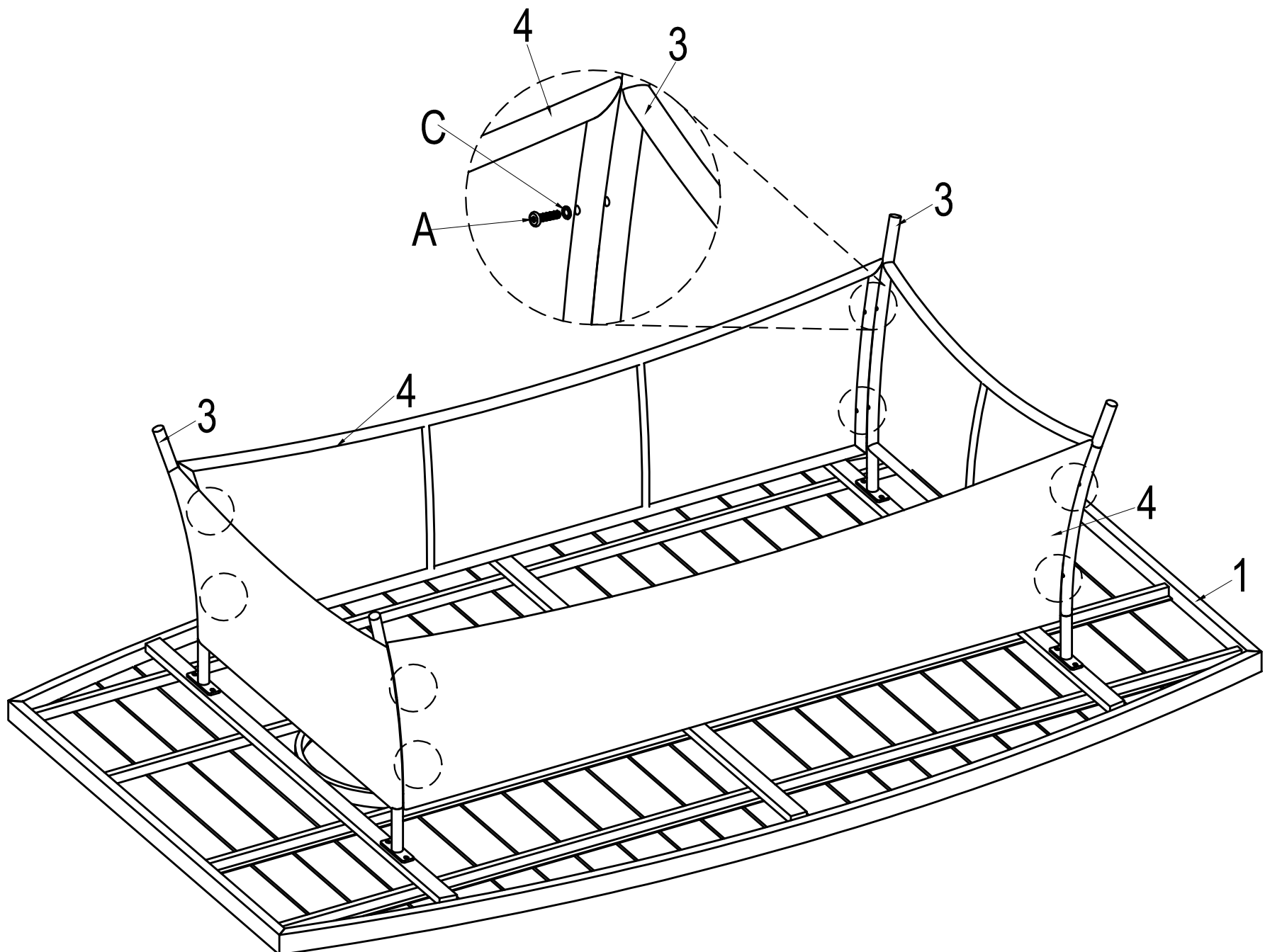


Step 2:

ITEMS REQUIRED

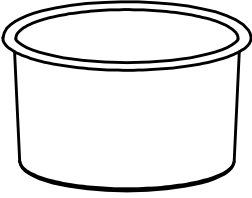
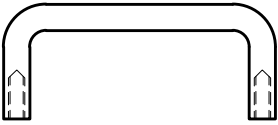

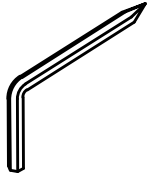
1. Table Top 1PC 	3. Legs 2PCS 	4. Fixed Link 2PCS 
A. Bolt M6*42*8PCS 	C. Washer M6*8PCS 	D. Allen Key M6*1PC 

- Attach fixed link (4) to legs (3) using bolt (A) with washer (C) .
- Insert all bolts before fully tightening .
- Tighten with allen key (D) .

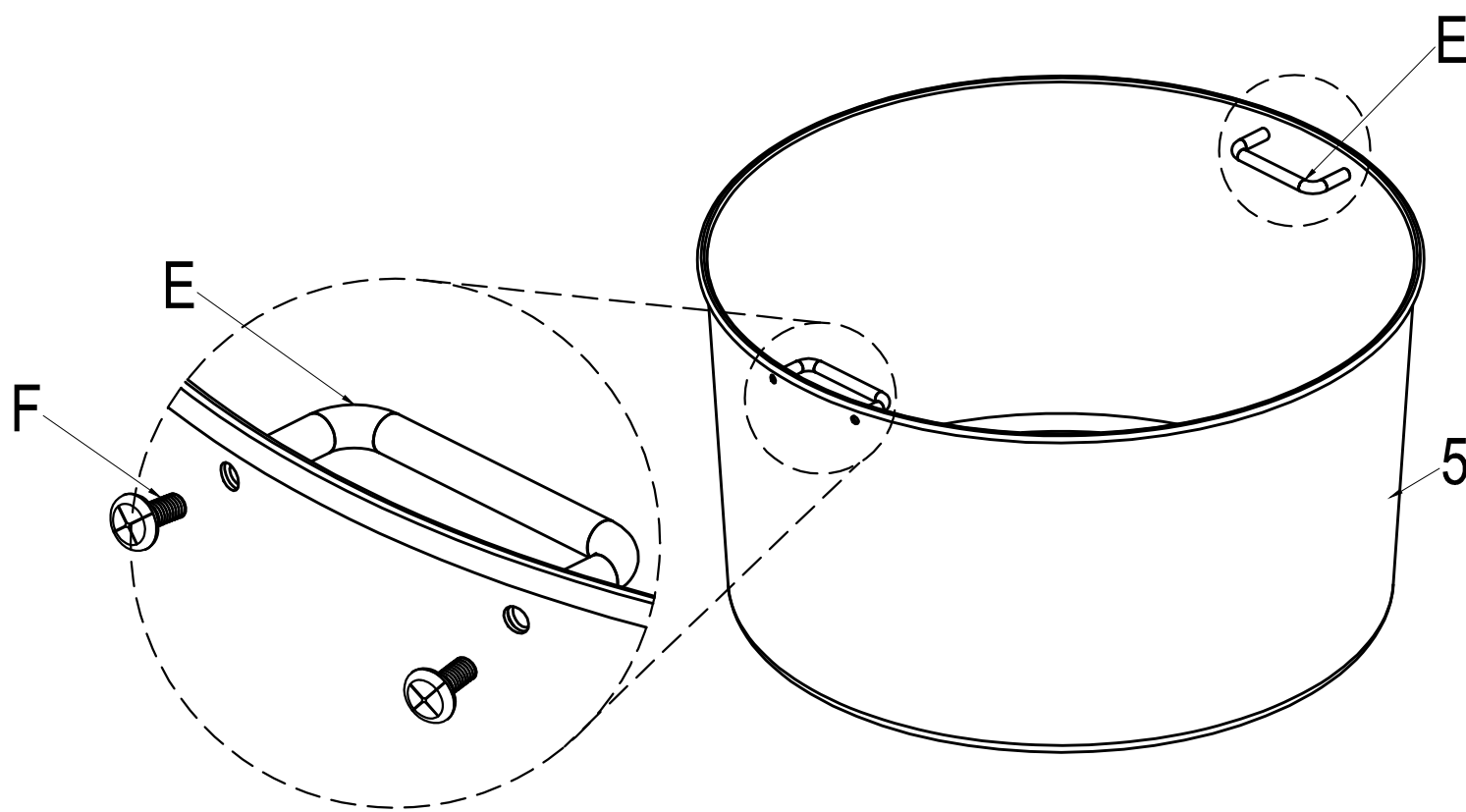


Step 3:

ITEMS REQUIRED

	5. Ice Bucket 2PCS 	
E. Handle 4PCS 	F. Bolt M5*10*8PCS 	D. Allen Key M6*1PC 

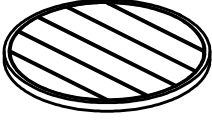
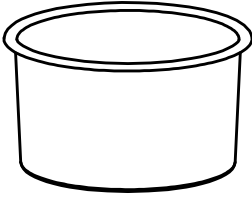
- Attach handle (E) to ice bucket (5) using bolt (F) .
- Insert all bolts before fully tightening .
- Tighten with allen key (D) .



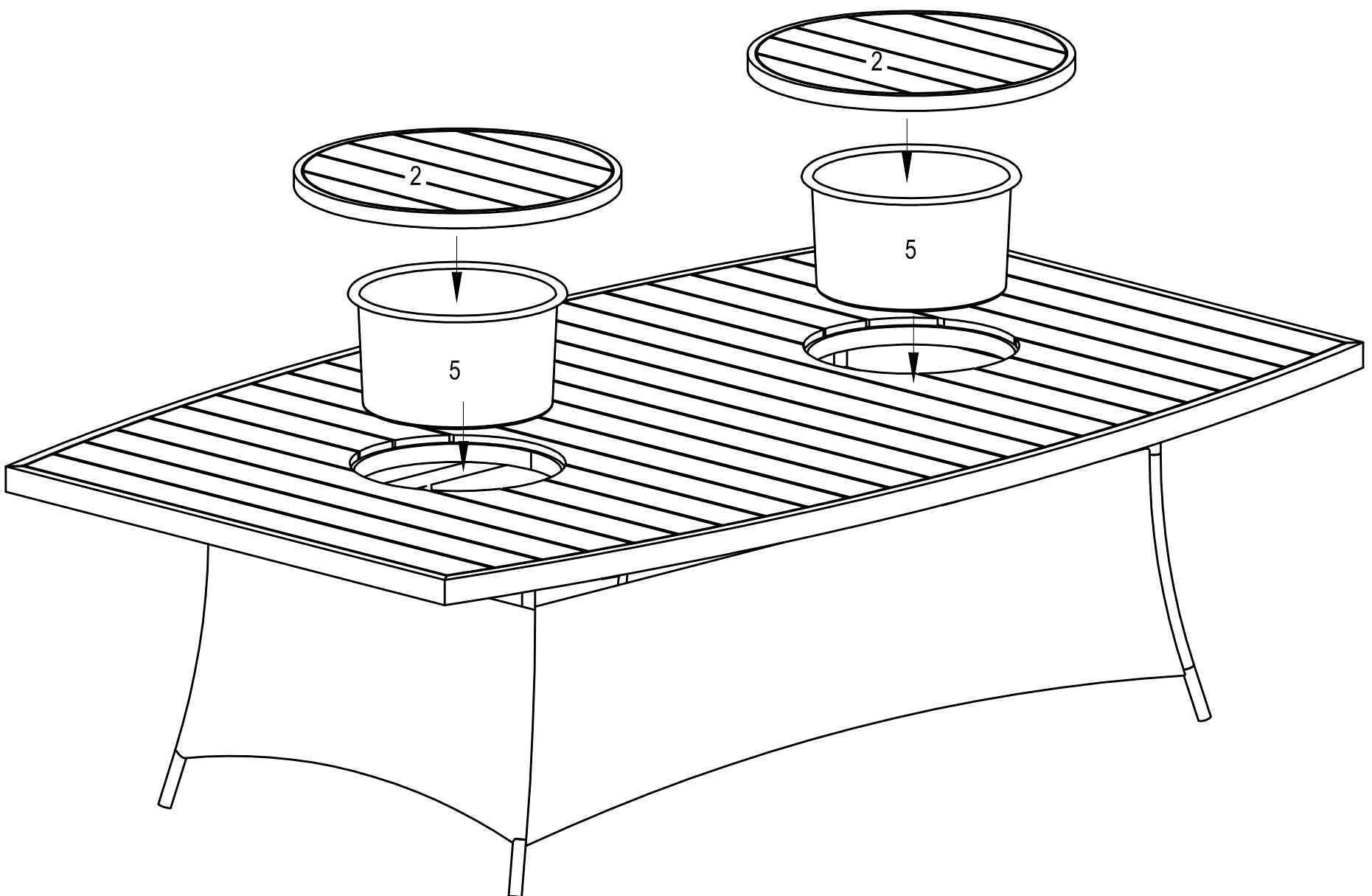
X 2

Step 4:

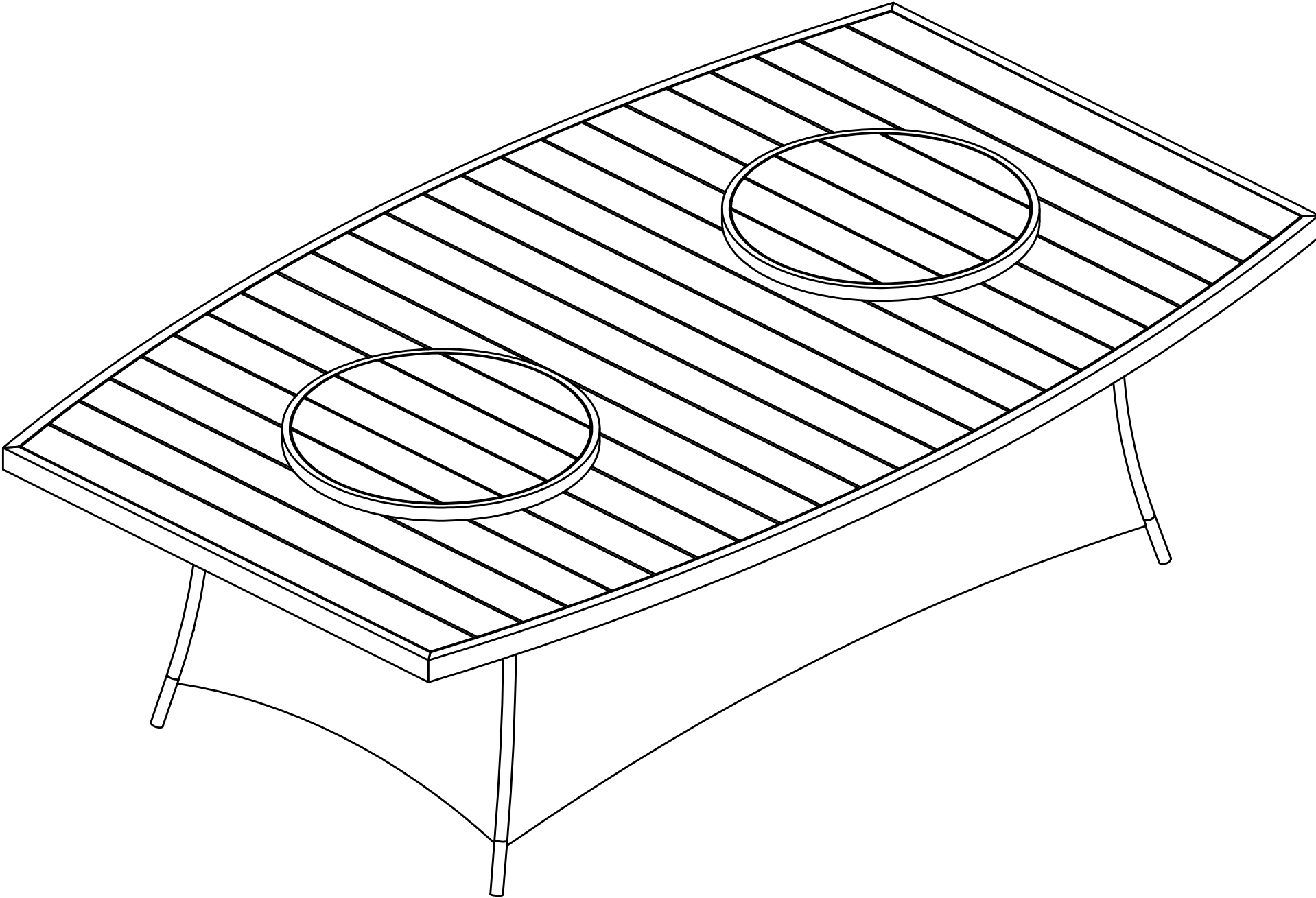
ITEMS REQUIRED

2.	Lazy Susan	2PCS	5.	Ice Bucket	1PC
					

- Put ice bucket on table top.
- Put lazy susan (2) on table top.



ASSEMBLY IS COMPLETE



Care and maintenance



Metal

- ☒ Item is designed for use outdoors. However we do not recommend leaving this product outside when not in use. To preserve the life of this item, avoid prolonged exposure to the elements & store inside/under cover or use an outdoor cover.
- ☒ DO NOT allow the furniture to be left in the rain or left wet for extended periods of time.
- ☒ Wipe furniture Dry immediately after it becoming wet.
- ☒ DO NOT clean your furniture down with any harsh solvents, abrasives or chemicals.
- ☒ To remove dirt and grime, simply rinse with fresh water or periodically clean using a sponge and mild detergent solution as required

Wicker

- ☒ Regular vacuuming and dusting of items is recommended.
- ☒ If weave on wicker becomes lacerated/damaged, do not pull on it as this may cause unravelling.
- ☒ Prolonged exposure to the elements may cause colour fading.
- ☒ To extend the life of your product the use of an Amart approved Outdoor Furniture Cover is highly recommended. Please contact store of purchase for further details.